



# JOLLY 15 *Plus*

## Product Data **Mobile radiographic unit**

|                          |  |
|--------------------------|--|
| <b>X-RAY GENERATOR</b>   | <ul style="list-style-type: none"> <li>• High Frequency monobloc</li> <li>• Maximum power: 15 kW</li> <li>• Maximum voltage: 125 kV</li> <li>• Maximum mAs: 250 mAs</li> <li>• Monobloc thermal capacity: 600 kJ (800 KHU)</li> <li>• Monobloc maximum thermal dissipation: 55 W</li> <li>• Frequency: 40 kHz</li> <li>• kV ripple: &lt; 2%</li> <li>• Leakage radiation (IEC 601-1-3): &lt; 1 mGy / h</li> <li>• Total filtration: 2.7 mm Al</li> </ul>   |
| <b>X-RAY TUBE</b>        | <ul style="list-style-type: none"> <li>• Double focus</li> <li>• Focal spot size: Standard: 0.6 - 1.3 mm (10kW / 30 kW)<br/>Option: 0.8 - 1.3 mm (15kW / 30 kW)</li> <li>• Anode: Rotating (3000 rpm max.)</li> <li>• Anode material: RTM</li> <li>• Anode angle: Toshiba E7846: 13.5°<br/>IAE X22: 15°</li> <li>• Anode thermal capacity: 80 kJ (107 KHU)</li> <li>• Max. continuous anode thermal dissipation: Toshiba E7846: 250 W<br/>IAE X22: 300 W</li> <li>• Max. voltage: 130 kVp</li> </ul>   |
| <b>CONTROL CONSOLE</b>   | <ul style="list-style-type: none"> <li>• Microprocessor controller console</li> <li>• Display: 5.7" LCD colour touch screen display (320x240 pixels)</li> <li>• Alarm: Acoustic and luminous X-ray emission alarm</li> <li>• APR languages available:               <ul style="list-style-type: none"> <li>- English</li> <li>- French</li> <li>- Spanish</li> <li>- Italian</li> <li>- German</li> </ul> </li> </ul>  |
| <b>OPERATION MODE</b>    | <ul style="list-style-type: none"> <li>• 3-point operation (kVp – mA – time) kVp selection: from 40 to 125 kV [1kV step]<br/>mA selection: from 50 to 200 mA [9 steps]<br/>Time selection: from 0.002 to 6 sec. [34 steps]</li> <li>• 2-point operation (kVp – mAs) kVp selection: from 40 to 125 kV [1 kV step]<br/>mAs selection: from 0.5 to 250 mAs [24 steps]</li> <li>• Anatomical programming 170 stored techniques</li> <li>• Compensation levels 5 patient's thickness compensation levels</li> <li>• Output RS232 for software updating</li> </ul> |
| <b>EXPOSURE CONTROLS</b> | <ul style="list-style-type: none"> <li>• Two modalities With two push buttons on control console</li> <li>Two-step X-ray push button control with spiral cable extendable up to 3.8 meters</li> </ul>  |

# JOLLY 15 *Plus*



## Product Data Mobile radiographic unit

### SAFETY AND PROTECTION

- Automatic control and protection of the filament current
- Over current protection
- Overvoltage protection
- X-ray tube overload protection
- Monobloc KHU automatic survey
- Errors description

### COLLIMATOR

- Square field single layer
- Manual collimator
- Adjustment from 0x0 to 43x43 cm at 1 m focal distance (FFD)
- High intensity lamp (160 lux) for X-ray field simulation and automatic switch off after 30 sec.
- Retractable tape measure for FFD measurement
- $\pm 90^\circ$  collimator rotation

### MOBILE STAND

- Antistatic rubber wheels
- Dead-man operated parking brake
- Variable focus-floor distance from 40 to 200 cm
- Monobloc yoke support rotation:  $+90^\circ / -90^\circ$
- Monobloc rotation in the yoke:  $-57^\circ / +167^\circ$
- Cassette bin for storing up to nr. 6 radiographic cassettes 35x43 cm size (14x 17 inches)
- Overall dimensions in transport position: 106 x 68 x 158 (H) cm
- Weight: ~160 kg

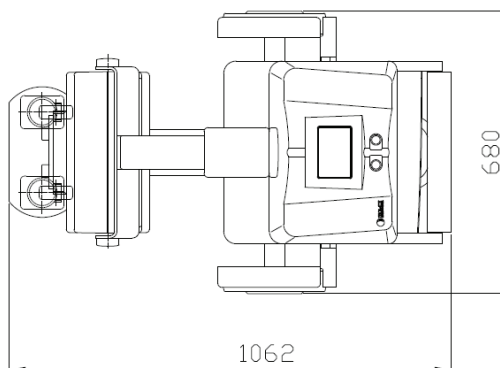
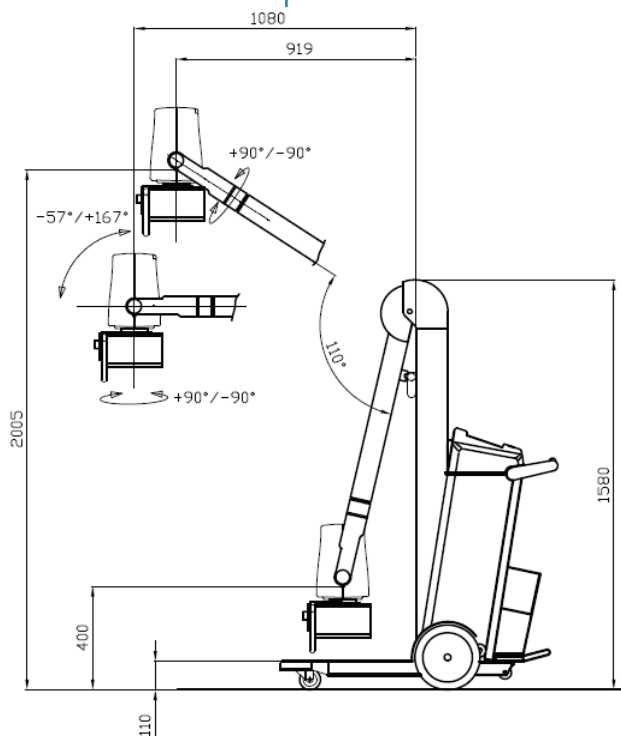
### MAINS AND POWER SUPPLY

- $\pm 10\%$  automatic line compensation
- Total line resistance: 0.40 Ohm maximum
- Voltage: 230 Vac single phase
- Frequency: 50 Hz or 60 Hz
- Current consumption: 16 A maximum

On request:

- Voltage: 115 Vac single phase
- Frequency: 60 Hz
- Current consumption: 25 A maximum

Data subjected to alteration without prior notice



PD-02-E Rev. 01 15.05.2009



BMI BIOMEDICAL INTERNATIONAL srl

Via E. Fermi 52 Q/R . 24035 Curno (Bg) . ITALY . Ph +39 0354376381 . Fax +39 0354376401  
www.bmibiomedical.it . e-mail: bmi@bmibiomedical.it

